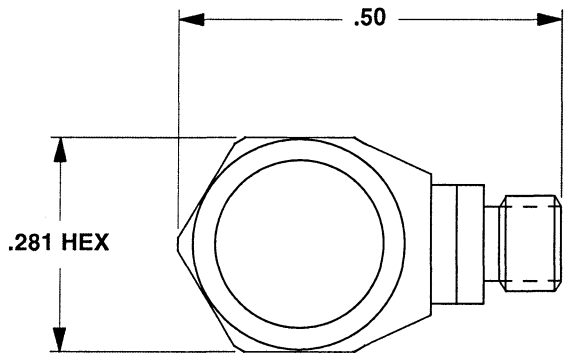
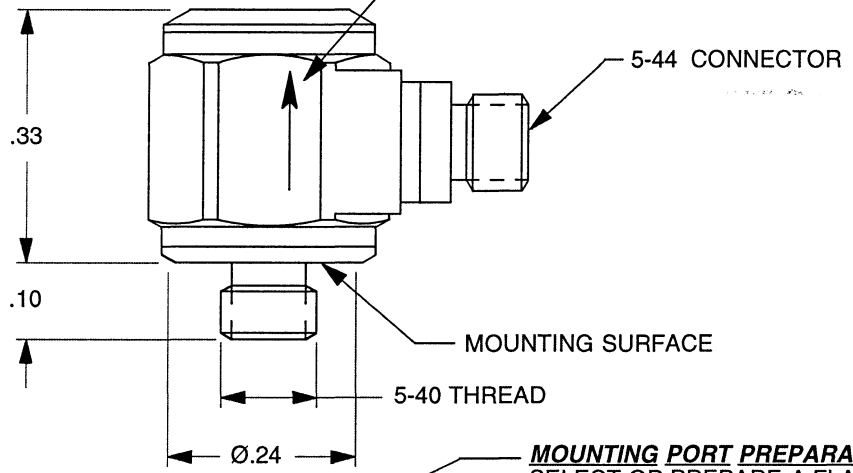


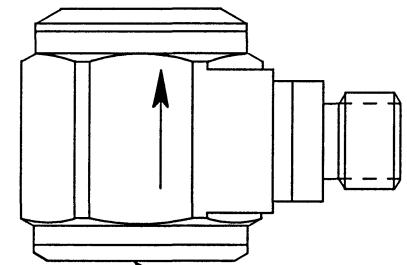
ACTUAL SIZE



ARROW INDICATES SENSE AND DIRECTION OF ACCELERATION FOR POSITIVE GOING OUTPUT SIGNAL

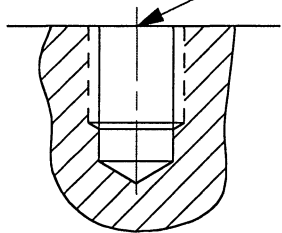


MOUNTING PORT PREPARATION: 3035B1
SELECT OR PREPARE A FLAT AREA OF AT LEAST Ø.250, FLAT TO .001 TIR.
AT THE CENTER, DRILL #38 (Ø.101) X .150 DEEP, MIN.
TAP 5-40 UNC-2B X .125 DEEP, MIN.



MOUNTING SURFACE

MOUNTING SURFACE PREPARATION: 3035B1G
SELECT OR PREPARE A FLAT AREA OF AT LEAST Ø.250, FLAT TO .001 TIR. CLEAN TO REMOVE CONTAMINANTS. APPLY ADHESIVE TO SURFACE OR TO ACCELEROMETER AND PRESS TOGETHER UNTIL ADHESIVE SETS.



MASTER ONLY IF IN RED CHATSWORTH, CA.

SCALE	4X	REV	A	DATE	6/10/04	ECN	-
DATE	3/5/04		PART NO. MODELS 3035B1, 3035B1G				
DRAWN	R.A.	CHECKED	N.C.		MAT'L		
APPROVED	<i>[Signature]</i>		NEXT ASSEMBLY		USED ON		

- 2. MOUNTING TORQUE ON .281 HEX: 3 TO 4 LB.-IN.
- 1. WEIGHT: 2.5 GRAMS.

OUTLINE/INSTALLATION DRAWING, MODELS 3035B1, & 3035B1G LIVM ACCELEROMETERS

DWG NO. **127-3035B1/G**
SHEET 1 OF 1

Model Number 3035B1	PERFORMANCE SPECIFICATIONS	DOC NO PS3035B1
IEPE ACCELEROMETER		REV D, ECN 16235, 06/22/21



- MINATURE SIZE
- HERMETICALLY SEALED
- STUD MOUNT

PHYSICAL
 Weight, Max.
 Connector
 Mounting Provision
 Material, Housing/Connector
 Sensing Element
 Element Style

ENGLISH		SI	
0.09	oz	2.5	grams
5-44 Coaxial		5-44 Coaxial	
5-40 Integral Stud		5-40 Integral Stud	
300 Series Stainless Steel		300 Series Stainless Steel	
Ceramic		Ceramic	
Shear		Shear	

PERFORMANCE
 Sensitivity, ±10% [2]
 Range for ± 5 Volts Output
 Frequency Response, ±10%
 Resonant Frequency
 Broad Band Resolution
 Linearity [3]
 Maximum Transverse sensitivity
 Strain Sensitivity @ 250µε

10	mV/g	1	mV/m/s ²
±500	g pk	±4905	m/s ² pk
0.34 to 10000	Hz	0.34 to 10000	Hz
> 45	kHz	> 45	kHz
0.004	g RMS	0.04	m/s ² RMS
±1	% F.S.	±1	% F.S.
5	%	5	%
0.002	g/µε	0.02	m/s ² /µε

ENVIRONMENTAL
 Maximum Shock
 Temperature Range
 Seal

10000	g pk	98067	m/s ² pk
-60 to +250	°F	-51 to +121	°C
Hermetic		Hermetic	

ELECTRICAL
 Supply Current Range [4]
 Compliance Voltage Range
 Output Impedance, Typ
 Bias Voltage
 Discharge Time Constant
 Electrical Isolation

2 to 20	mA	2 to 20	mA
18 to 30	Volts	18 to 30	Volts
100	Ω	100	Ω
11 to 13	VDC	11 to 13	VDC
0.8 to 2	Sec	0.8 to 2	Sec
Case Grounded	GΩ,min	Case Grounded	GΩ,min

This family also includes:

Model	Range F.S. (g pk)	Sensitivity (mV/g)	Time Constant (Sec)
3035B	± 50	100	0.8 to 2
3035B2	± 100	50	0.8 to 2
3035B3	± 1000	5	0.8 to 2

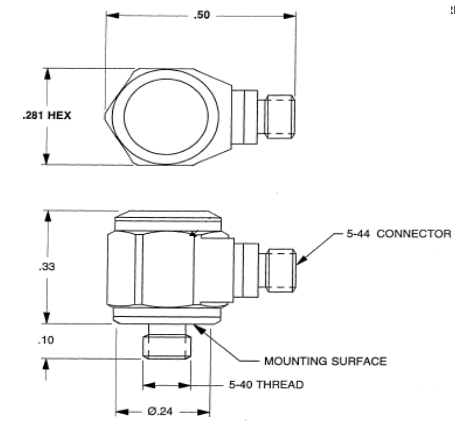
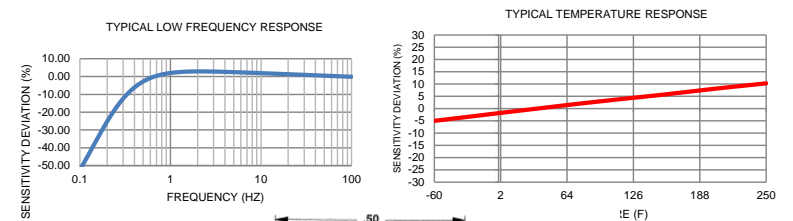
Refer to the performance specifications of the products in this family for detailed description

Supplied Accessories:

- 1) Accredited calibration certificate (ISO 17025)

Notes:

- [1] All specifications are at room temperature unless otherwise specified.
- [2] Measured at 100Hz, 1 g RMS per ISA RP 37.2.
- [3] Measure using zero-based straight line method, % of F.S. or any lesser range.
- [4] Do not apply power to this system without current limiting, 20 mA MAX. To do so will destroy the IC charge amplifier.
- [5] In the interest of constant product improvement, we reserve the right to change specifications without notice. It is the customer's responsibility to validate that a particular product with the properties described in the product specification is suitable for use in a particular application. Parameters provided in datasheets and / or specifications may vary in different applications and performance may vary over time. All operating parameters, including typical parameters, must be validated for each customer application by the customer's technical experts.



Units on the line drawing are in inches, units in brackets are in millimeters. Refer to 127-3035B1/G for more information.



21592 Marilla Street, Chatsworth, California 91311 Phone: 818.700.7818 Fax: 818.698.0362 www.dytran.com
 For permission to reprint this content, please contact info@dytran.com